

1	CABINET	1	1000 x 900 x 1630 x 1.6t
2	TURBO BLOWER	1	1.5kw x 25CMM x 230mmAq
3	SOLENOID VALVE	4	JICI-25
4	NOZZLE	4	PIPE 25A & 8A
5	AIR TANK	1	PIPE 150A
6	BAFFLE PLATE	2	PUNCHING PLATE 1.6t
7	NNS FILTER	12	Ø165 x 500L x 60tH
8	DUST BOX	1	61 LITER
9	OUTLET FLANGE	1	Ø200
10	LIFT LUG	4	I-NUT M12
11	POWER CABLE	1	V.C.T.F CABLE
12	MANOMETER	1	0 ~ 300 mmAq
13	CONTROL PANEL	1	CONTROL SWITCH
14	REGULATOR	1	PP2 (8A)
15	INLET FLANGE	1	Ø150
16	CASTER	4	ROTATION 4' STOPPER

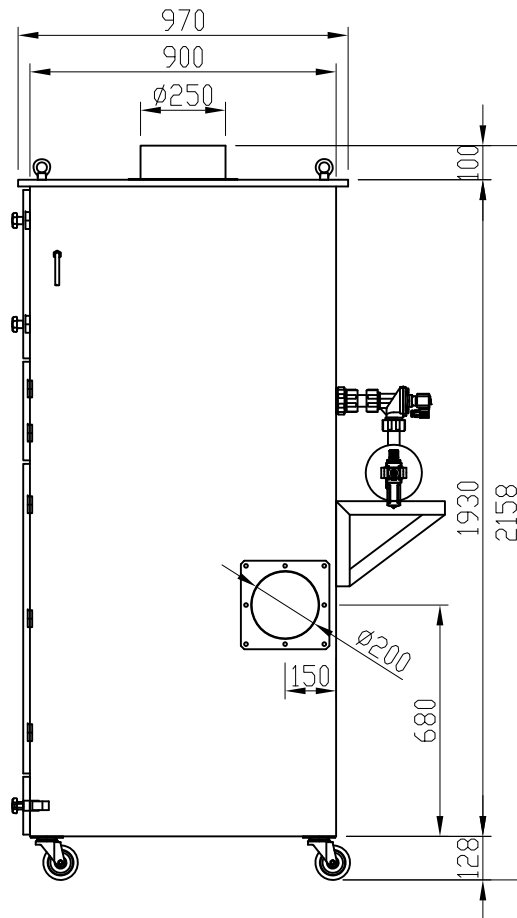
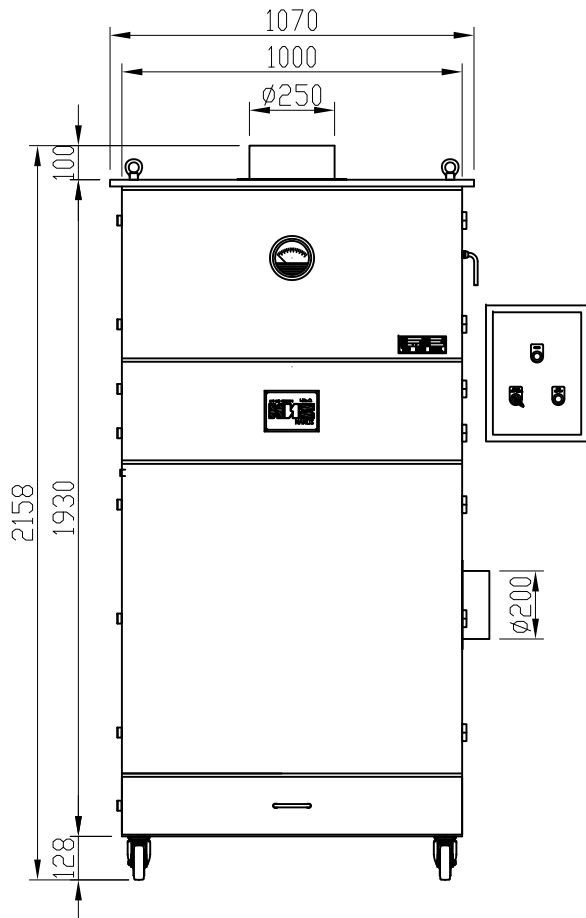
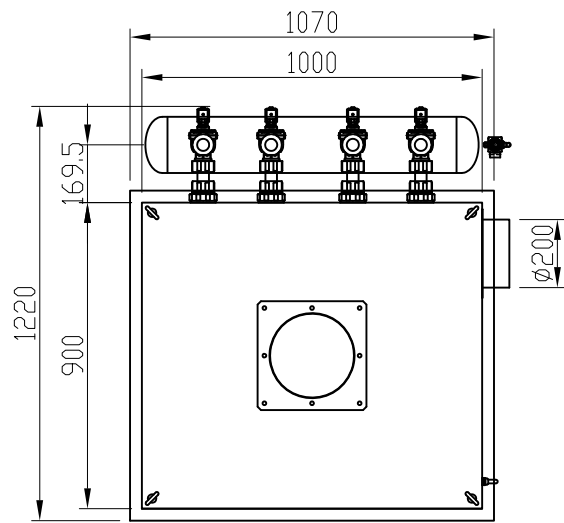
\*\*\* CHECK POINTS \*\*\*

A. ---

SPECIFICATION			
MODEL NAME	NSP-20	OPTION	-
FAN SPEC.			
FAN DIVISION	TURBO BLOWER		
AIR VOLUME	25 CMM	STATIC	230 mmAq
MOTOR	1.5 kw [ 2 HP ]	POWER	380V x 3P
FILTER SPEC.			
1ST	NNS FILTER	MATERIAL	TEFRON
	SIZE	Ø165 x 500L x 60tH x 12EA	AREA

\*\*\* PAINT COLOR \*\*\*  
 BODY : EX8816(S) 5Y 7/1  
 DOOR : EX8816-DIC546 1/2

 고객맞춤 대표 장비기 www.nanos.co.kr	SIZE	A3	CUSTOMER	-
	SCALE	1 / 1	TITLE	AIR PULSE TYPE HUM & LASOR DUST COLLECTOR
	DRAWN	APPROVED	NANDS DWG. NO.	NSP-20
	B.B.M	-		
	13.08.19	-		



1	CABINET	1	1000 x 900 x 1930 x 1.6t
2	TURBO BLOWER	1	2.2kw x 40CMM x 230mmAq
3	SOLENOID VALVE	4	JICI-25
4	NOZZLE	4	PIPE 25A & 8A
5	AIR TANK	1	PIPE 150A
6	BAFFLE PLATE	2	PUNCHING PLATE 1.6t
7	NNS FILTER	12	Ø165 x 800L x 60tH
8	DUST BOX	1	61 LITER
9	OUTLET FLANGE	1	Ø250
10	LIFT LUG	4	I-NUT M12
11	POWER CABLE	1	V.C.T.F CABLE
12	MANOMETER	1	0 ~ 300 mmAq
13	CONTROL PANEL	1	CONTROL SWITCH
14	REGULATOR	1	PP2 (8A)
15	INLET FLANGE	1	Ø200
16	CASTER	4	ROTATION 4' STOPPER

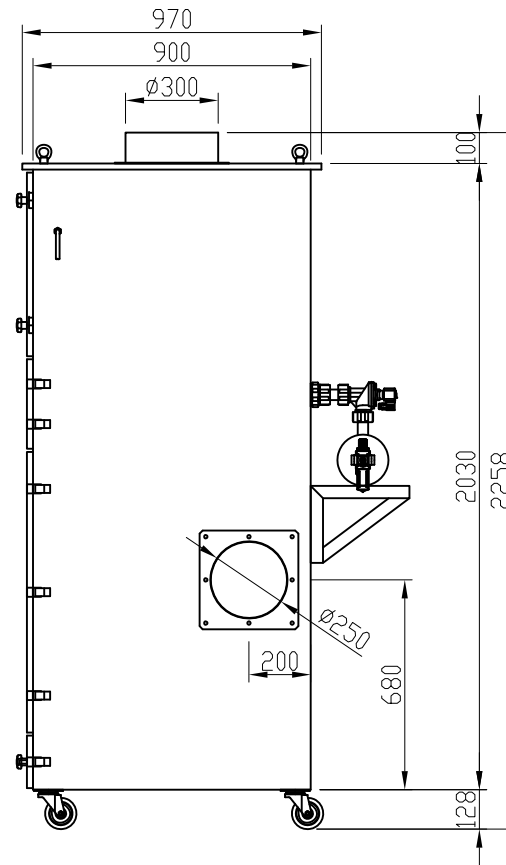
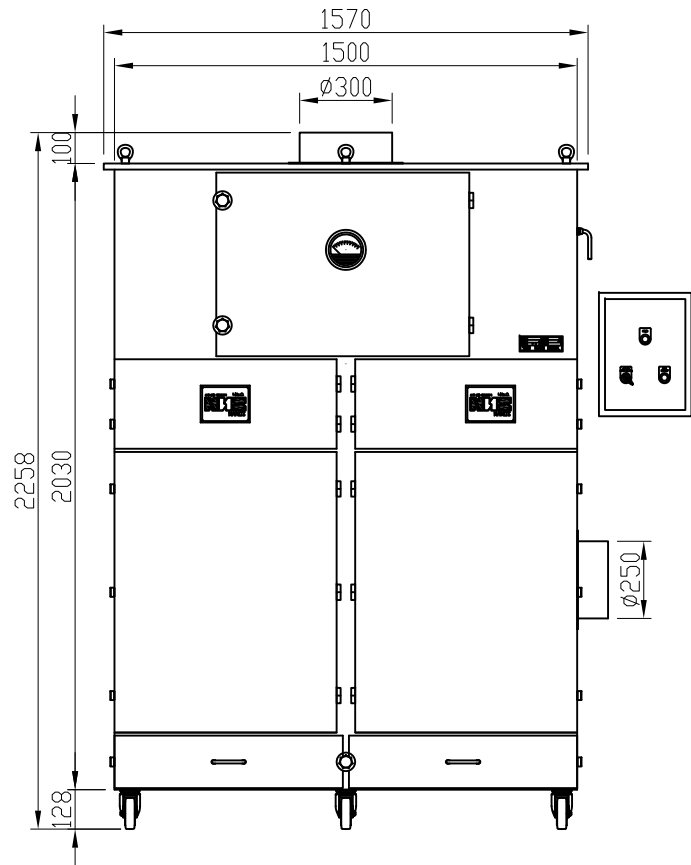
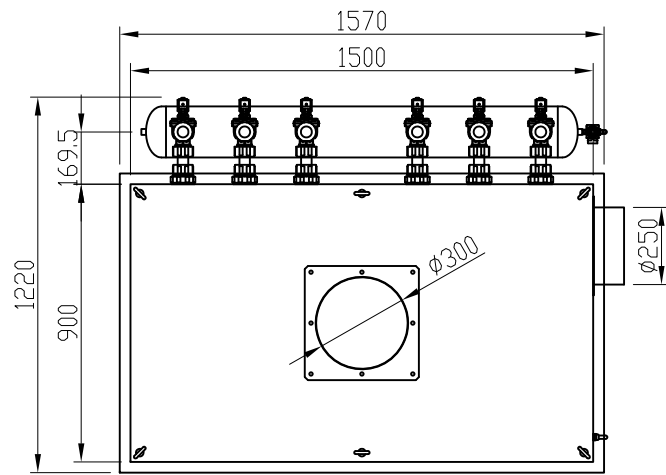
\*\*\* CHECK POINTS \*\*\*

A. ---

SPECIFICATION			
MODEL NAME	NSP-30	OPTION	-
FAN SPEC.			
FAN DIVISION	TURBO BLOWER		
AIR VOLUME	40 CMM	STATIC	230 mmAq
MOTOR	2.2 kw [ 3 HP ]	POWER	380V x 3P
FILTER SPEC.			
1ST	NNS FILTER	MATERIAL	TEFRON
	SIZE	Ø165 x 800L x 60tH x 12EA	AREA

\*\*\* PAINT COLOR \*\*\*  
 BODY : EX8816(S) 5Y 7/1  
 DOOR : EX8816-DIC546 1/2

 고객맞춤 대표 장비기 www.j-nanos.co.kr	SIZE	A3	CUSTOMER	-
	SCALE	1 / 1	TITLE	AIR PULSE TYPE HUM & LASOR DUST COLLECTOR
	DRAWN	APPROVED	NANS	DWG. NO.
	B.BM	-	NSP-30	
	13.08.19	-		



1	CABINET	1	1500 x 900 x 2030 x 1.6t
2	TURBO BLOWER	1	3.7kw x 60CMM x 230mmAq
3	SOLENOID VALVE	6	JICI-25
4	NOZZLE	6	PIPE 25A & 8A
5	AIR TANK	1	PIPE 150A
6	BAFFLE PLATE	2	PUNCHING PLATE 1.6t
7	NNS FILTER	18	Ø165 x 800L x 60tH
8	DUST BOX	2	140 LITER
9	OUTLET FLANGE	1	Ø300
10	LIFT LUG	6	I-NUT M12
11	POWER CABLE	1	V.C.T.F CABLE
12	MANOMETER	1	0 ~ 300 mmAq
13	CONTROL PANEL	1	CONTROL SWITCH
14	REGULATOR	1	PP2 (8A)
15	INLET FLANGE	1	Ø250
16	CASTER	4	ROTATION 4' STOPPER

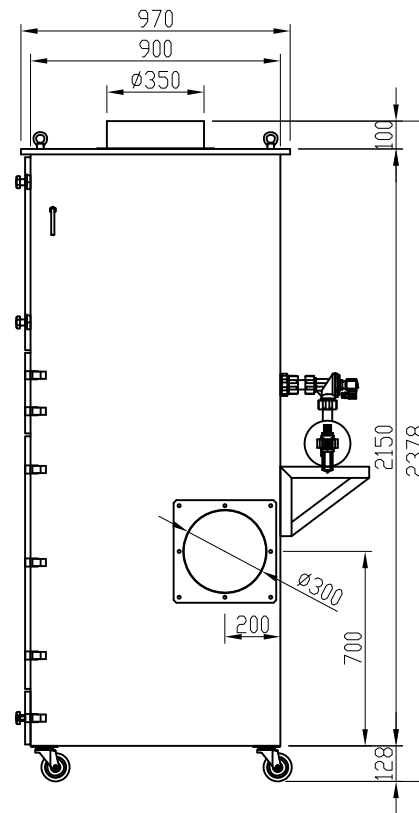
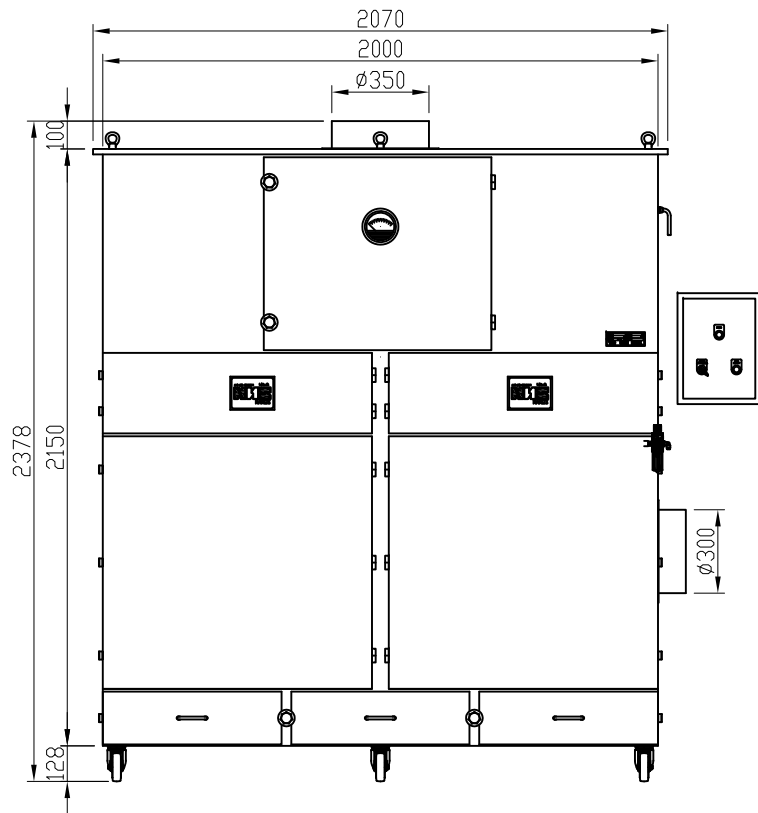
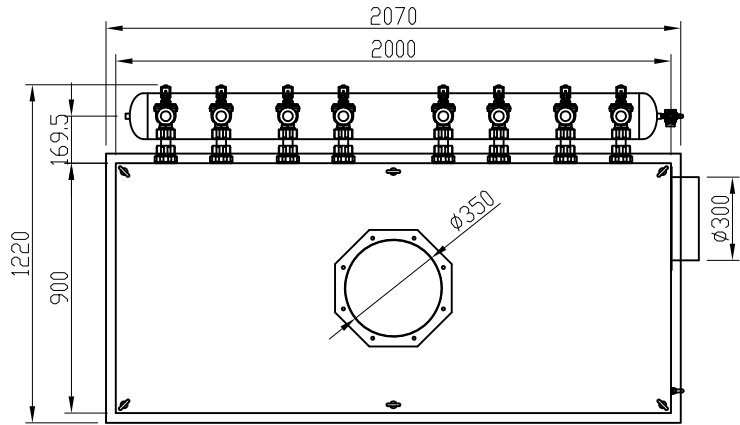
\*\*\* CHECK POINTS \*\*\*

A. ---

SPECIFICATION			
MODEL NAME	NSP-50	OPTION	-
FAN SPEC.			
FAN DIVISION	TURBO BLOWER		
AIR VOLUME	60 CMM	STATIC	230 mmAq
MOTOR	3.7 kw [ 5 HP ]	POWER	380V x 3P
FILTER SPEC.			
1ST	NNS FILTER	MATERIAL	TEFRON
	SIZE	Ø165 x 800L x 60tH x 18EA	AREA

\*\*\* PAINT COLOR \*\*\*  
 BODY : EX8816(S) 5Y 7/1  
 DOOR : EX8816-DIC546 1/2

 고객맞춤 대표 장비기 www.j-nanos.co.kr	SIZE	A3	CUSTOMER	-
	SCALE	1 / 1	TITLE	AIR PULSE TYPE HUM & LASOR DUST COLLECTOR
	DRAWN	APPROVED	NANOS DWG. NO.	NSP-50
	B.B.M	-		
	13.08.19	-		



1	CABINET	1	2000 x 900 x 2350 x 1.6t
2	TURBO BLOWER	1	5.5kw x 80CMM x 250mmAq
3	SOLENOID VALVE	8	JICI-25
4	NOZZLE	8	PIPE 25A & 8A
5	AIR TANK	1	PIPE 150A
6	BAFFLE PLATE	2	PUNCHING PLATE 1.6t
7	NNS FILTER	24	Ø165 x 800L x 60tH
8	DUST BOX	3	140 LITER
9	OUTLET FLANGE	1	Ø350
10	LIFT LUG	6	I-NUT M12
11	POWER CABLE	1	V.C.T.F CABLE
12	MANOMETER	1	0 ~ 300 mmAq
13	CONTROL PANEL	1	CONTROL SWITCH
14	REGULATOR	1	PP2 (8A)
15	INLET FLANGE	1	Ø300
16	CASTER	4	ROTATION 4' STOPPER

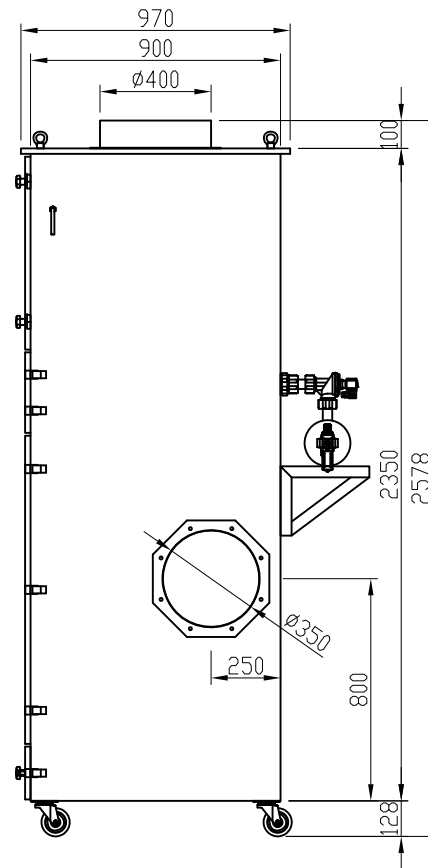
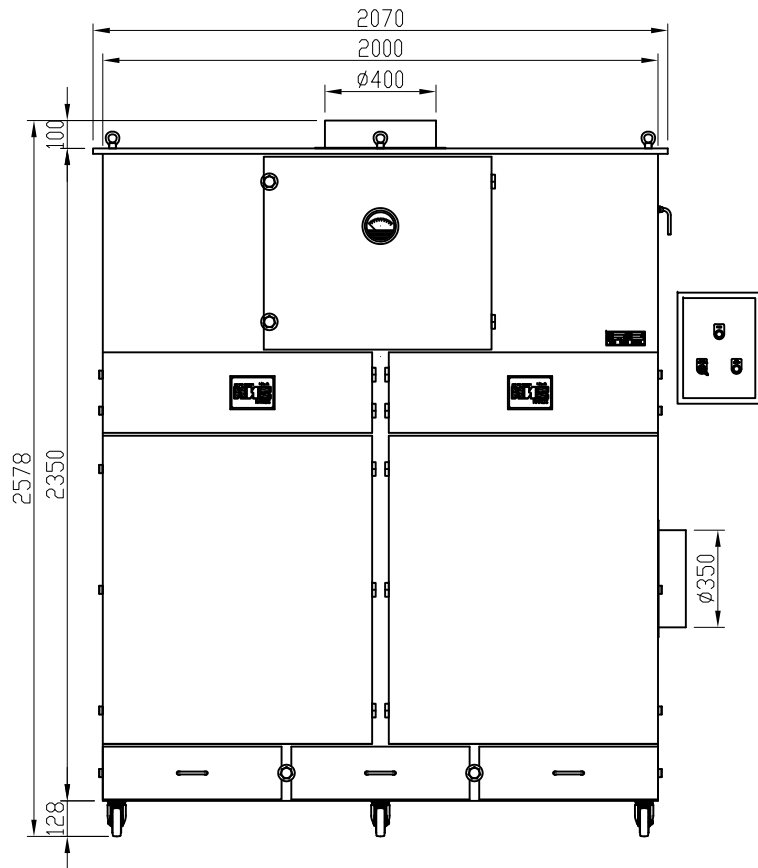
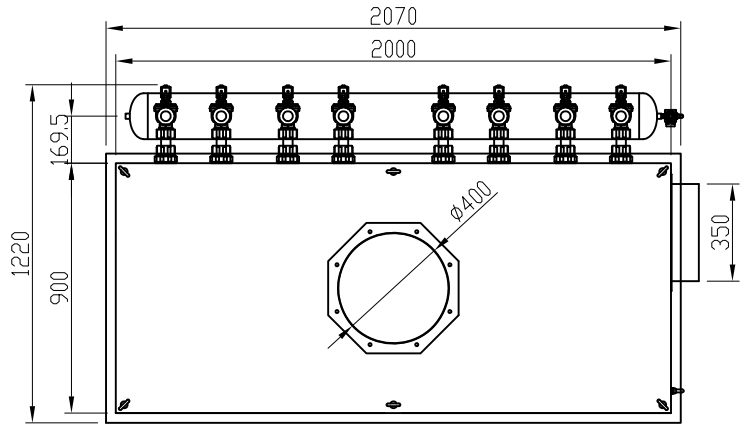
\*\*\* CHECK POINTS \*\*\*

A. ---

SPECIFICATION			
MODEL NAME	NSP-75	OPTION	-
FAN SPEC.			
FAN DIVISION	TURBO BLOWER		
AIR VOLUME	80 CMM	STATIC	250 mmAq
MOTOR	5.5 kw [ 7.5 HP ]	POWER	380V x 3P
FILTER SPEC.			
1ST	NNS FILTER	MATERIAL	TEFRON
	SIZE	Ø165 x 800L x 60tH x 24EA	AREA

\*\*\* PAINT COLOR \*\*\*  
 BODY : EX8816(S) 5Y 7/1  
 DOOR : EX8816-DIC546 1/2

 고객맞춤 대표 장비기 www.nanos.co.kr	SIZE	A3	CUSTOMER	-
	SCALE	1 / 1	TITLE	AIR PULSE TYPE HUM & LASOR DUST COLLECTOR
	DRAWN	APPROVED	NANOS DWG. NO.	NSP-75
	B.B.M	-		
	13.08.19	-		



1	CABINET	1	2000 x 900 x 2350 x 1.6t
2	TURBO BLOWER	1	7.5kw x 100CMM x 250mmAq
3	SOLENOID VALVE	8	JICI-25
4	NOZZLE	8	PIPE 25A & 8A
5	AIR TANK	1	PIPE 150A
6	BAFFLE PLATE	2	PUNCHING PLATE 1.6t
7	NNS FILTER	24	Ø165 x 1000L x 60tH
8	DUST BOX	3	140 LITER
9	OUTLET FLANGE	1	Ø400
10	LIFT LUG	6	I-NUT M12
11	POWER CABLE	1	V.C.T.F CABLE
12	MANOMETER	1	0 ~ 300 mmAq
13	CONTROL PANEL	1	CONTROL SWITCH
14	REGULATOR	1	PP2 (8A)
15	INLET FLANGE	1	Ø350
16	CASTER	4	ROTATION 4' STOPPER

\*\*\* CHECK POINTS \*\*\*

A. ---

SPECIFICATION			
MODEL NAME	NSP-100	OPTION	-
FAN SPEC.			
FAN DIVISION	TURBO BLOWER		
AIR VOLUME	100 CMM	STATIC	250 mmAq
MOTOR	7.5 kw [ 10 HP ]	POWER	380V x 3P
FILTER SPEC.			
1ST	NNS FILTER	MATERIAL	TEFRON
	SIZE	Ø165 x 1000L x 60tH x 24EA	AREA

\*\*\* PAINT COLOR \*\*\*  
 BODY : EX8816(S) 5Y 7/1  
 DOOR : EX8816-DIC546 1/2

 고객맞춤 대표 장비기 www.nanos.co.kr	SIZE	A3	CUSTOMER	-
	SCALE	1 / 1	TITLE	AIR PULSE TYPE HUM & LASOR DUST COLLECTOR
	DRAWN	APPROVED	NANOS DWG. NO.	NSP-100
	B.B.M	-		
	13.08.19	-		